



40 Watt SHARP-LED

Ledverlichting Soest

Features

- Light source: 6 pieces 7 Watt SHARP LED
- **1400 Lumen Warm White, 1900 Lumen Cold White**
- 50,000 hours LED Life
- Low heat, less than 65°C for 40 Watt
- No UV or IR light radiation
- Homogeneous flood illumination
- The 40 Watt recess down light is available in the following white color temperatures:
2850K (Warm White)
6000K (Cool White)
- 40 Watt recess down light can achieve directional light output equal to existing 100 Watt High Pressure Mercury, CFL and Halogen Types
- 220V AC



Typical Applications

- **Shop and Office Lighting**
- Ceiling Lighting
- Commercial Lighting
- General lighting
- Energy Saving Programs
- Sustainable Energy






40 Watt SHARP-LED

Ledverlichting Soest

PRODUCT SPECIFICATIONS

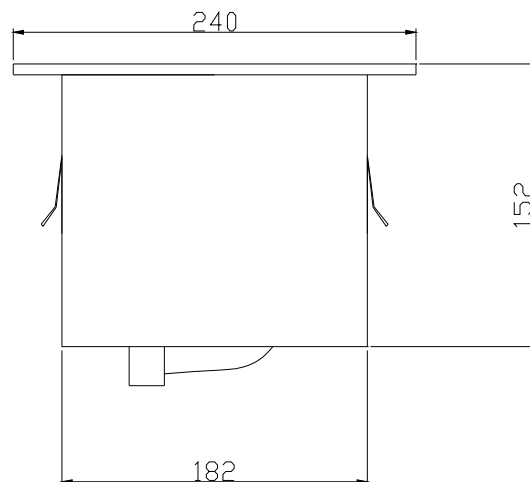
LIGHT SOURCE	6 X 7 Watt SHARP power LED
OPTICS	Single Diffused Lens Cover
BEAM ANGLE	60° (Wide Spot), and 100° (Flood) suppliable at request
RENDERING INDEX (Ra)	>70 (for warm white color)
FRONT DIAMETER	240 mm
REAR CASING DIAMETER	182 mm
LAMP CASING HEIGHT	152 mm
WEIGHT	1305 g
HOUSING	Aluminum with Powder Coat Black Finish
POWER CONNECTORS	Terminal block
POWER SUPPLY	Internal – Built in
DIMMABILITY	Not Dimmable 

ENVIRONMENTAL SPECIFICATIONS

TEMPERATURE RANGE	Ambient: -20°C to 40°C; Surface of Lamp: 60°C to 70°C
HUMIDITY RANGE	0 to 95% non-condensing humid

ELECTRICAL SPECIFICATIONS

VOLTAGE REQUIREMENT	36V DC (low voltage) or 220V AC
POWER CONSUMPTION	≤ 40 Watt





Ledverlichting Soest

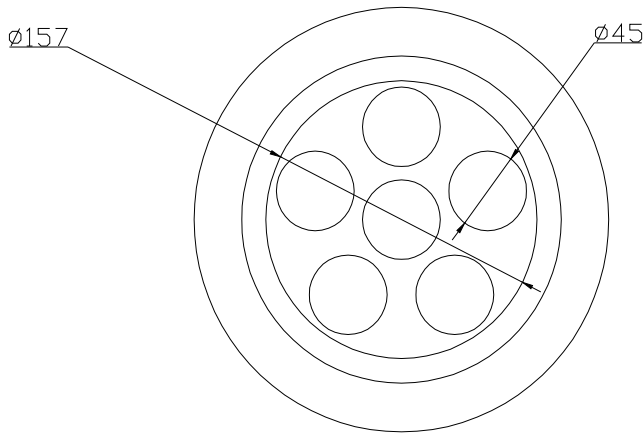
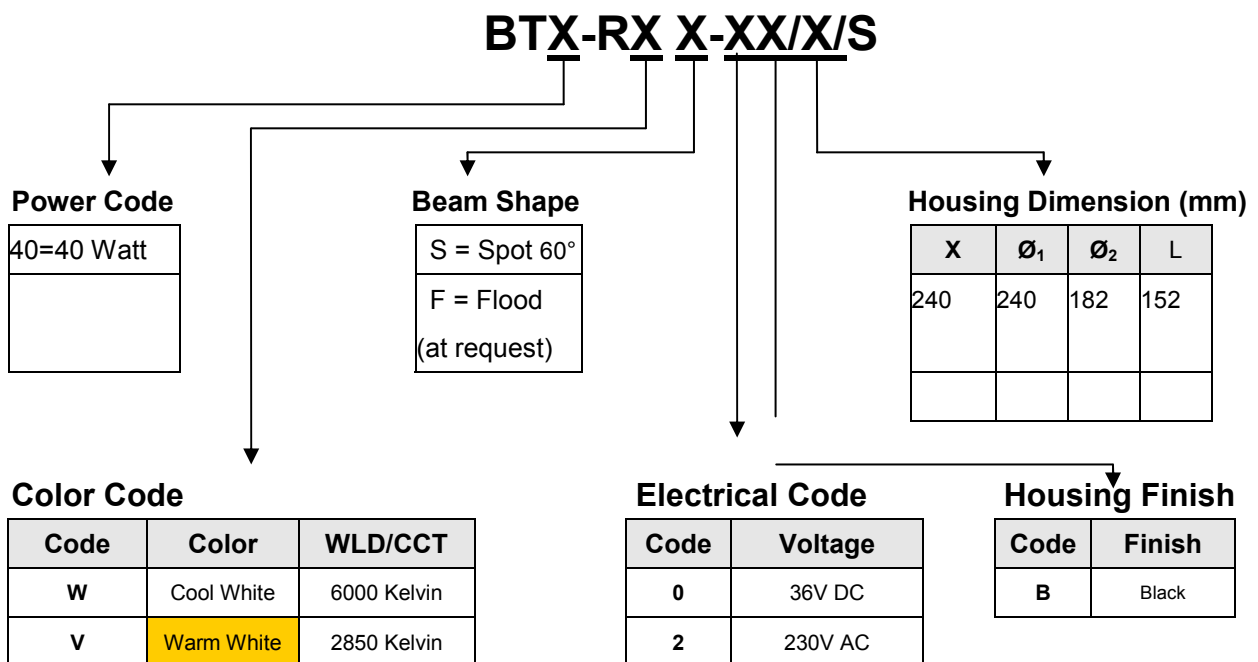


Fig 1. Recess Lamp Front View

Fig 2. Recess Lamp Side View

PRODUCT ORDERING CODE





40 Watt SHARP-LED

Ledverlichting Soest

40 Watt DOWN LIGHT PRODUCT CODE

PICTURE	ORDER CODE	Color	Wavelength or CCT (nm/K)	Operating Voltage	LED Power (W)	Typ. Luminous Flux (lm)	Illuminance@ 1m (Lux)	BEAM ANGLE
	BT40-RWS-XB/S	Cool White	6000 Kelvin	36V DC	6X7 Watt	1900 lm	1760	60° ±2°
	BT40-RVS-XB/S	Warm White	2850 Kelvin	or 230V AC		1400 lm	1500	
	BT40-RWF-XB/S	Cool White	6000 Kelvin	36V DC	6X7 Watt	1900 lm	-	100° ±2°
	BT40-RVF-XB/S	Warm White	2850 Kelvin	or 230V AC		1400 lm	-	

Typical Electrical Characteristics at T_a=25°C

40 Watt Down Light

Parameter	Symbol	Min	Typ	Max	Unit
Input Voltage (AC) 220V	V _{AC}	200	-	240	V
LED Forward Current	I _F	-	670	-	mA
Estimated Life [□]		-	50,000	-	hours
Optimized Body Temperature (6X7 Watt LED)	T	-	50	55	°C

Note[*] – Manufacturer projects recess lamp made with SHARP power LED to maintain an average of 70% lumens maintenance after 50,000 hours. This estimation is made based on data from LED manufacturer



40 Watt SHARP-LED

Ledverlichting Soest
