

Ledverlichting Soest

Artikel A15



Ledverlichting Soest

30 LED Streetlight (Single Head)

1. Introduction



the 30 LED Streetlight (Single Head) is a new, energy-saving product that utilizes high-power LEDs as a light source. It can be directly connected with a 100-240V AC power supply. In the LED color spectrum, there is no ultraviolet light, no infrared rays, no heat, and no radiation produced. As a result, 30 LED Streetlight is a conventional “green” lighting source. The lamp casing is made of aluminum-alloy through die-casting. The lamp cover material uses high quality toughened glass,

which is highly lucent, dust-proof, and waterproof. The whole set uses stainless steel fasteners. The surface of the product is covered with fluorocarbon powder that is sprayed on in electrostatic spraying manner, resulting in a good self-cleaning property. The product is safe, reliable, and has low energy-consumption and a long lifespan. It is especially suitable for use in public places such as open squares, streets, and roads.

Ledverlichting Soest

2. Technical Parameters

Light Source: 1W high power yellow LEDs and 1W high power white LEDs

Beam Angle: 120°

Luminous Flux: 950LM

Protection Rating: IP65

Illumination: 13 ~ 15Lux/4m

Input Voltage and Frequency: AC 100-240V, 50/60HZ

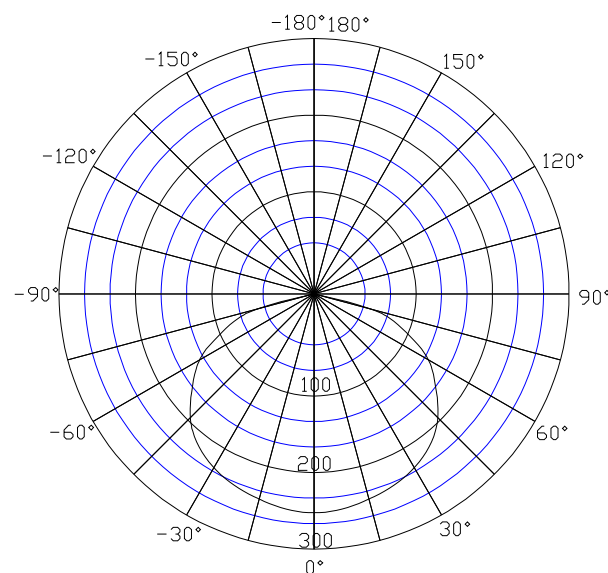
LED Working Current: 350mA

Total Input Power: 34.5W

Color Temperature: 2700K ; 3200K ; 4000K

Total LED Power: 30W

Area of Illumination: ±6.5M



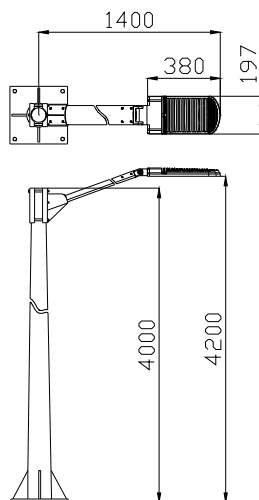
Candle Light Power Distribution Curve:

Max. Light Intensity: 255.31cd

Beam Angle: 120°

Ledverlichting Soest

3. Dimensions of Framework

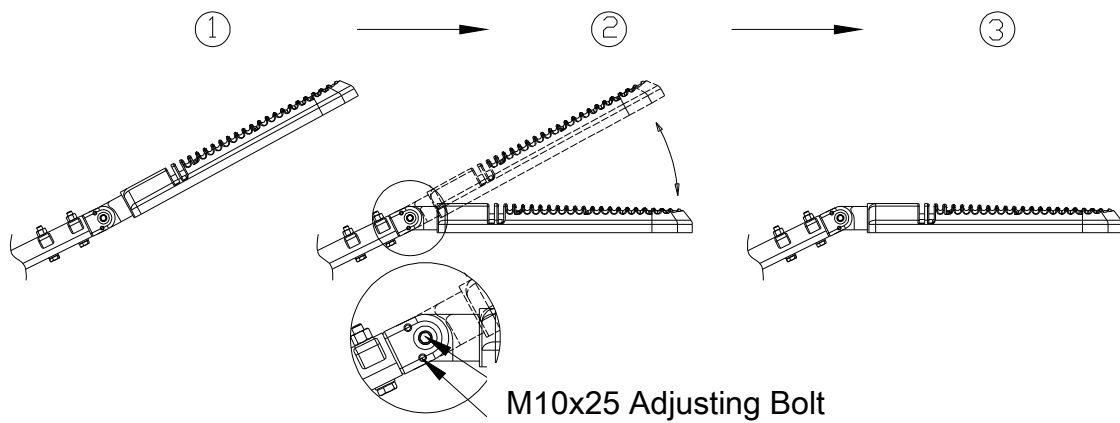


4. Installation Instructions

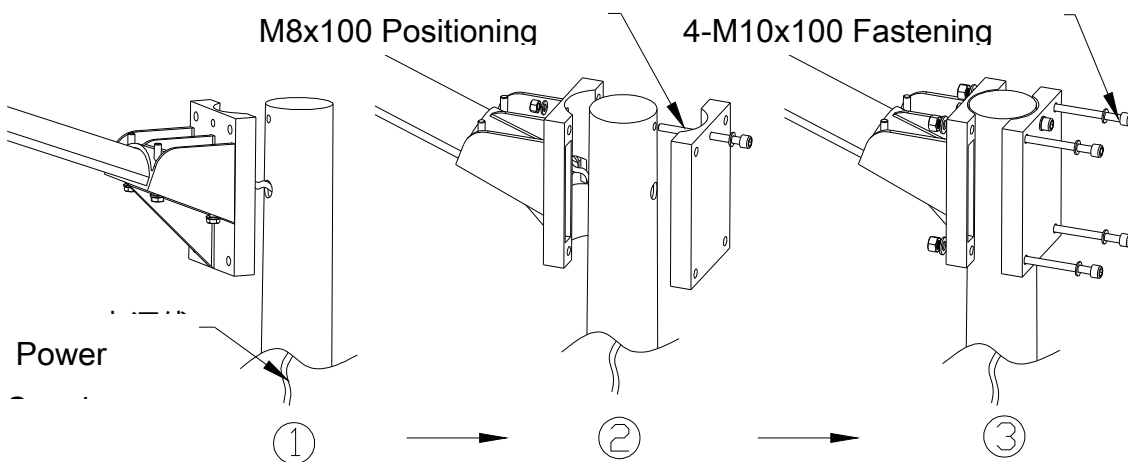
1. Adjustment of Lamp Headpiece

First, loosen the adjusting bolt and adjust the lamp headpiece to a suitable angle, and then screw the bolt tightly. Fasten the headpiece with the 2 fastening bolts, as shown in the following picture:

Ledverlichting Soest



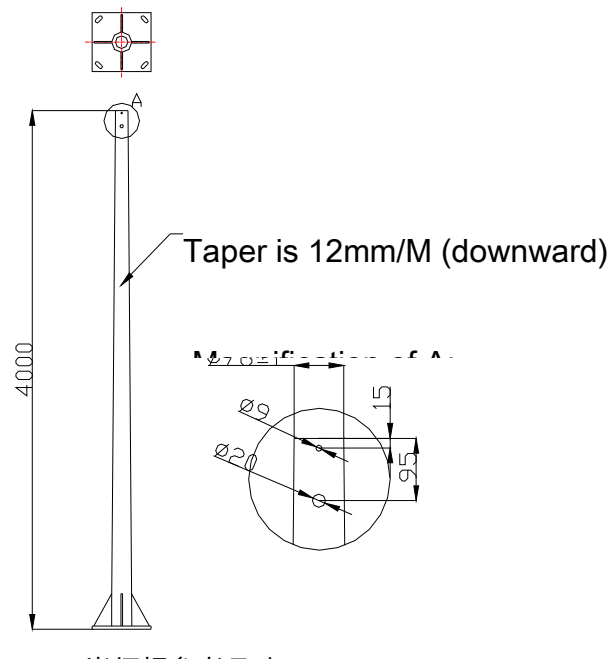
2. Connection of Lamp Headpiece and Pole



Ledverlichting Soest

- ①. Open the cover board of the pole connection window with a hex wrench.
Let the cable of lamp headpiece traverse through the 20mm hole at the top of the pole to the connection window near the base.
- ②. First connect with a M8×100 bolt through the central hole to fix the headpiece's direction.
- ③. Then lock the lamp arm and the pole together evenly with 4 M10x100 bolts as shown in the above picture.

3. Referenced Pole Size

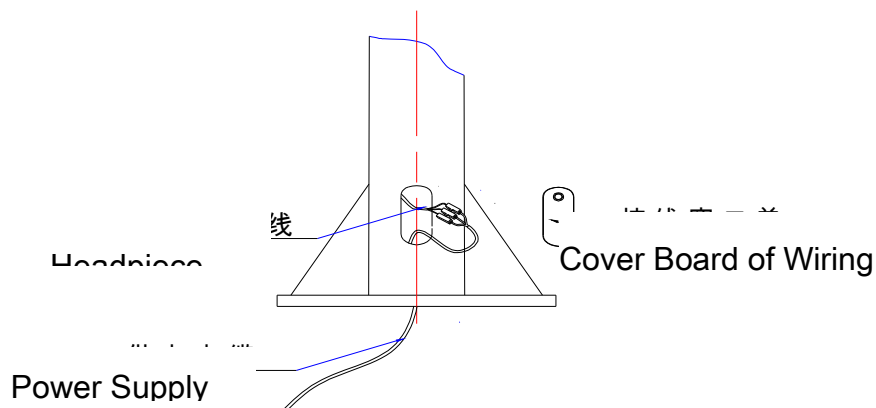


4. Connection of Referenced size of 4m pole

Traverse the supply cable through the hole at the bottom of the pole to the connection window. Then connect cable of the lamp headpiece and the supply cable together as shown in the following picture.

NOTE: This work should be done only by professional electricians.

Ledverlichting Soest

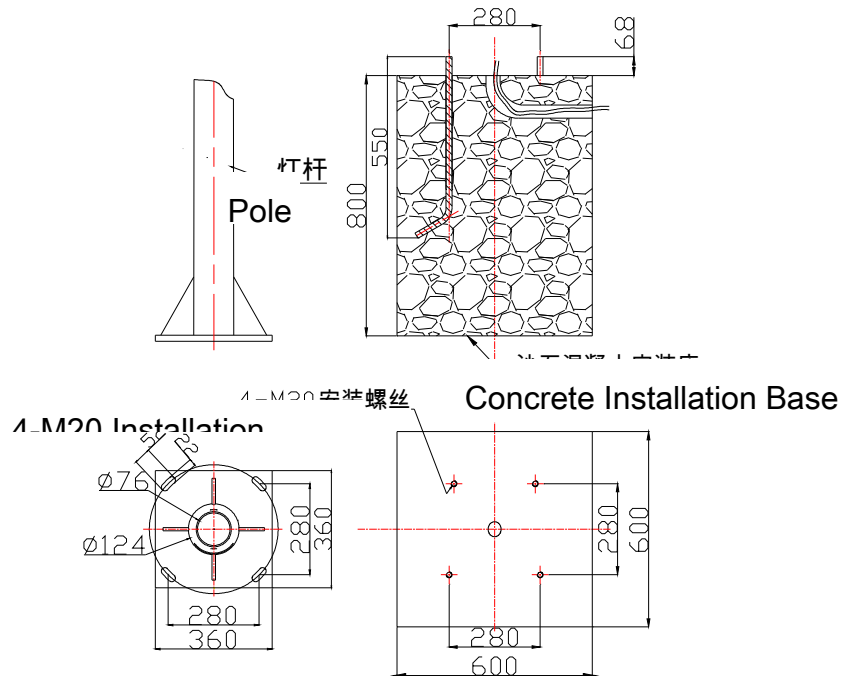


5. Connection of Lamp Pole and Cement Base

The suggested dimensions of the cement base are 800x600x600(mm).4

M20x550(mm) L-shape bolts should be embedded in the cement base in advance. The space between them should be 280x280(mm). The length of thread above the ground should be at least 68mm. Also, a piece of supply cable should be embedded in the cement base in advance. (The diameter of the supply cable shall be determined by the total number of lamps.) The length of cable above ground should be at least 600mm. Fasten the pole to cement base with M20 bolts, screw gaskets, and flat gaskets. Ensure that the bolts lock safely and fit tightly. See the following picture:

Ledverlichting Soest



6. Notice

- (1) During installation all bolts should be fastened tightly.
- (2) Installation and maintenance work should only be handled by professionals.