

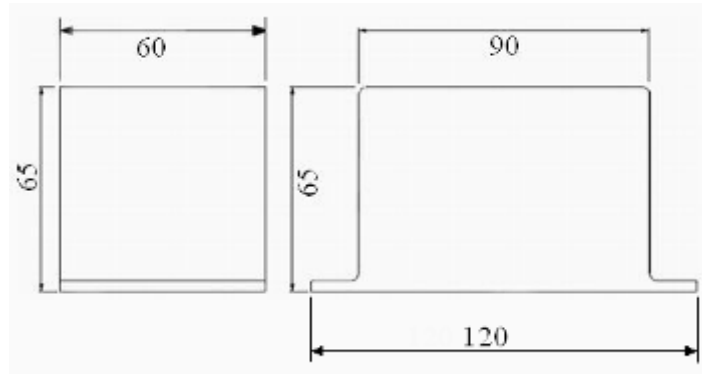
HS SERIES CREE

LED DOWNLIGHT

Dimmable Power Supply System

(Including 1*10W, 2*10W, 3*10W, 4*10W Dimmable)

Our 10W HS SERIES DOWNLIGHT SERIES dimmable power supply system is to adjust the input effective AC voltage through the photointerrupter (photochopper / optical chopper) as to change the output current from 0-350mA for dimming light efficiency.



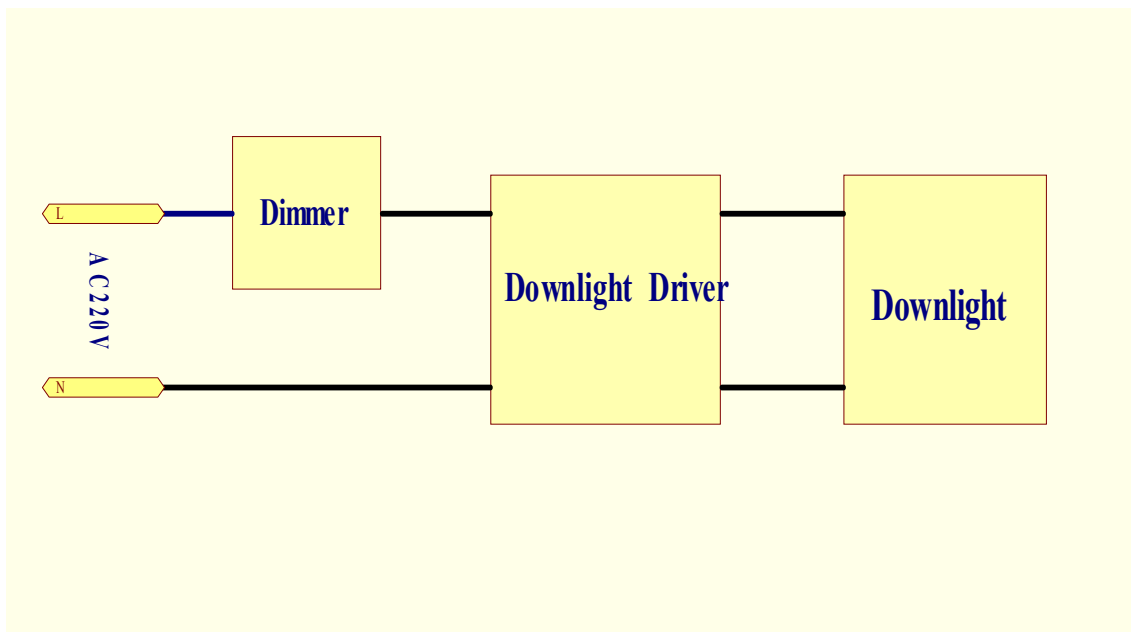
Technique Parameter:

- Model No.: HS-AL-10
- Input Voltage: AC220V \pm 10%
- Working Frequency: 50HZ/60HZ
- The output current of the power supply: \leq 350mA
(Changing at the same time just according to the input voltage changed continuously)
- Power Rating(W): 15W
- Power Supply Efficiency: $>$ 60%
- Housing: Aluminum Alloy
- Water proof grade: IP64
- Working Temperature: \leq 55 $^{\circ}$ C (Environment Temperature 25 $^{\circ}$ C)
- Using Environment Temperature: -25 $^{\circ}$ C- 45 $^{\circ}$ C
- Suitable for LED lamp as:
HS-DL25-10W***;HS-DL30-10W***;HS-DL35-10W***;

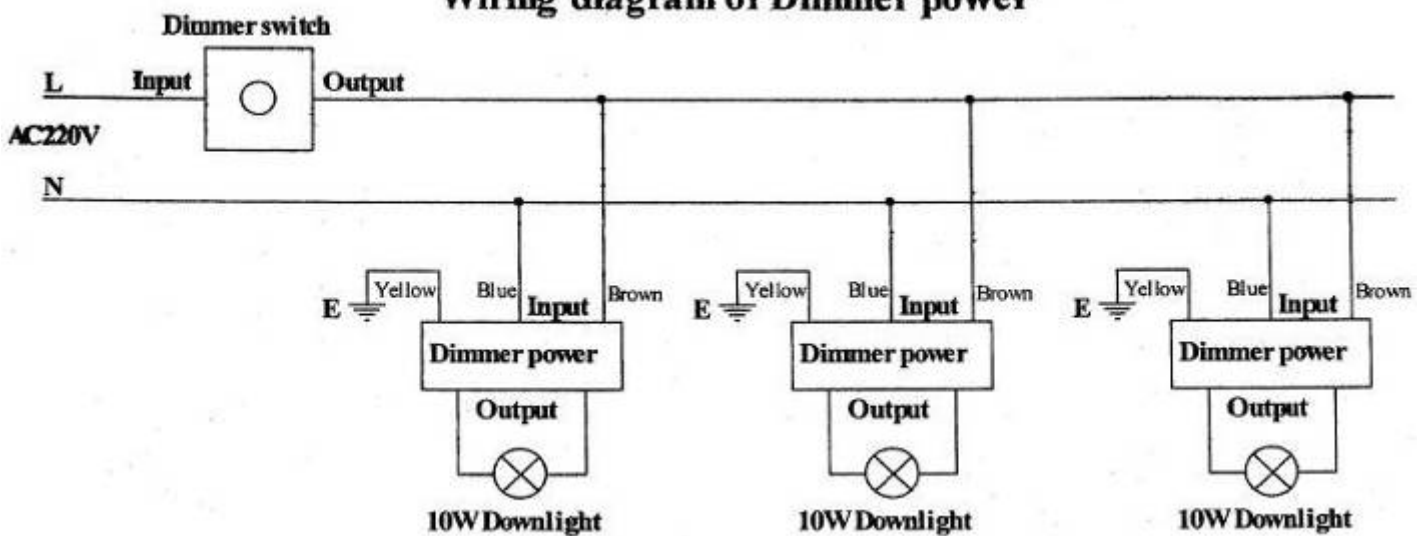
HS-DL40-10W***;HS-DL50-10W***;HS-DL60-10W***...

- Power supply Measurement(L*W*H)(mm): 120*60*65mm
- Packing Measurement(L*W*H)(mm): 34*26*15cm
- Q'ty / ctn: 20pcs/ ctn.

The Wiring Diagram of Dimming LED Downlight (10W):



Wiring diagram of Dimmer power



High Power LED Downlight

(Use CREE LED)

LED is a kind of energy-saving, efficient, environmental friendly light source. It can replace the conventional type light source, such as fluorescent lamp, energy-saving light, incandescent light, halogen lamp. There are many advantages on the downlight.

1. The Feature & Advantages of using LED Light as follows:

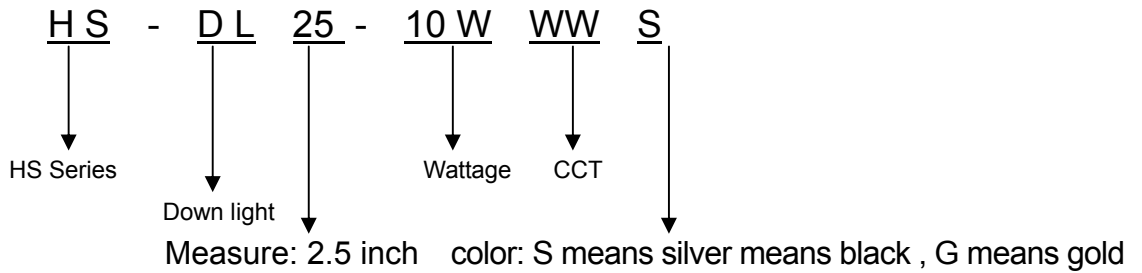
- Light Source: Super Bright LED
- Low power consumption, high intensity
- No UV & IR Interference
- Working under low power
- Efficiency: $\geq 85\%$
- Power factor: ≥ 0.9
- CRI: ≥ 8.5
- EMI conforms to Global Index
- Various Colors are available
- Long Life-span: More than 100,000 hours
- Solid-state, high shock / vibration resistant
- Mercury Free
- Generates little to no heat
- Easy Maintenance & Installation

2. Applicants:

- Street & Road
- Bridge
- Square / Piazza
- Uptown

Model Number:

Model number of the products are formed for easy identification purpose, which is elaborated as following:



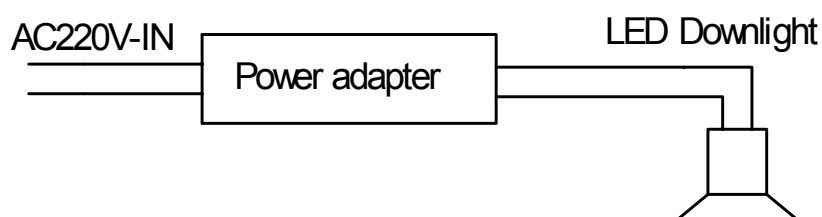
- DL: DL means Down light
- Measure: 25 means 2.5inch
- Wattage: 10 W means wattage
- CCT: identifies the color temperature whereas UW and WW respectively means cold white(6500k) and warm white(3500k)
- Color: means the material color (S means silver, B means Black, G means Gold)

Power Adapter:



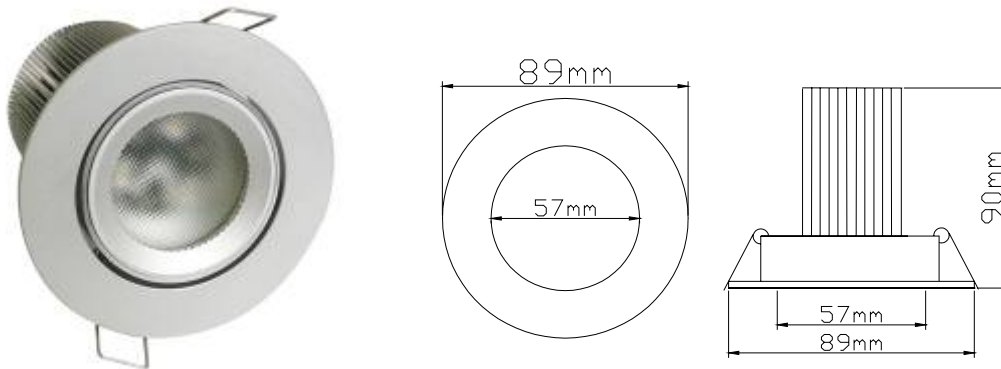
specification	Power (W)	Input Voltage (V)	Output Voltage (V)	Current (mA)	Measure L*W*H(mm)	Weight (g)/PCS
JA-15700U	10. 5	AC110-250V	DC3-15V	DC700	160*25.5*26.5	187
JA-30700M	21	AC170-250V	DC18-30V	DC700	217*28.5*20	250
JA-45700M	31.5	AC170-252V	DC2.5-45	DC700	217*28.5*20	250

Wiring diagram:



I. 2.5 inch Down light

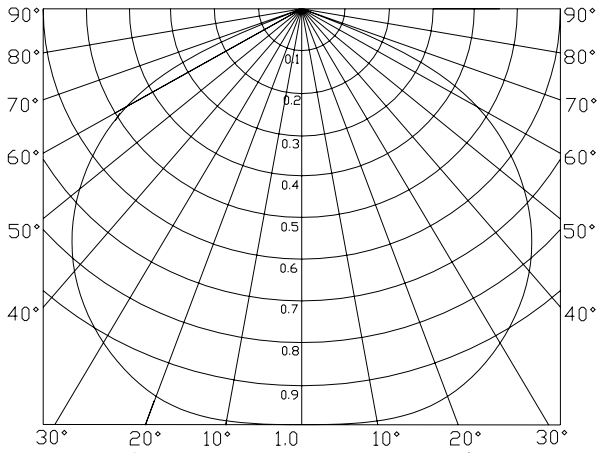
i. 2.5 inch Downlight (Companate Lense)



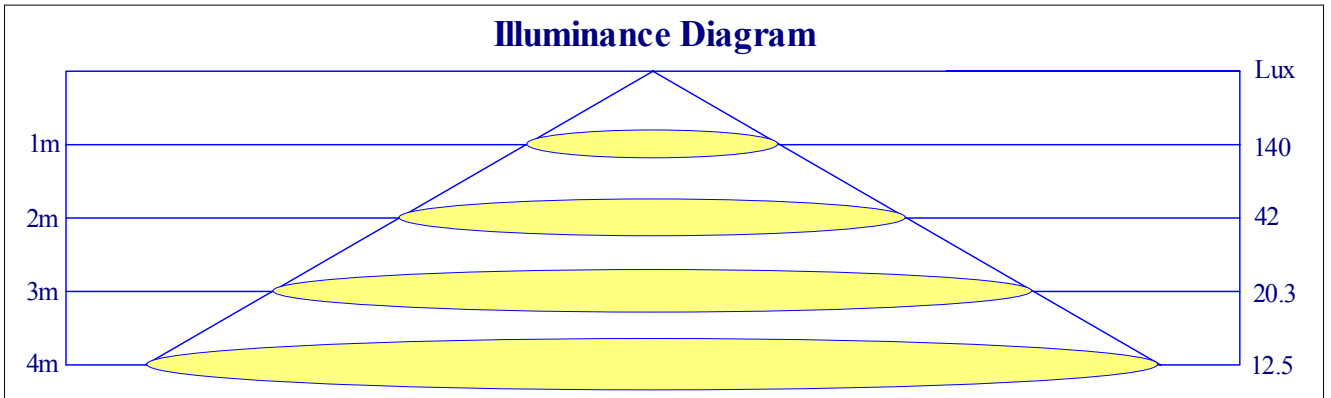
Parameter:

- Model: HS-DL25-10W
- Color of the housing: sand silver color.(Have three colors to be customized:silver/black/gold)
- Use of power adapter: JA-15700U
- Input current: DC700mA±5%
- Power:10W
- Light Source: 3*3W Cree Led
- LED Q'ty: 1 PC
- Angle: 120°
- Adjustment Angle: ±25°
- Body operating temperature: ≤58℃
- Led operating temperature: ≤65℃
- Ambient temperature: -25°- 45°
- Material : aluminum alloy
- IP grade: IP44
- Color temperature: 2500K-6500K
- Luminous flux(lm): 900lm-cool white,800lm-warm white
- Luminous efficacy: 90lm/W- cool white,80lm/w- warm white
- Lifespan: 50000hours
- Hole: Φ78mm
- NET Weight: 350g
- Gross Weight: 385g
- Dimension of the product(dia. * H): Φ89*90 mm
- Dimension of the external box (L * W * H) : 49*20*33.5cm
- Quantity (PCS):30pcs in a carton

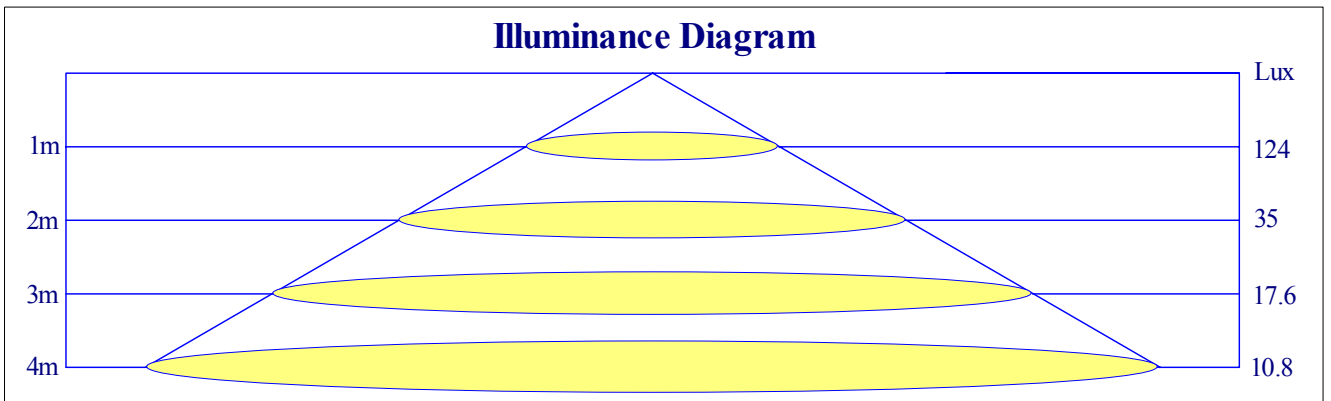
Photometric results:



Illuminance Diagram: Angle 120°

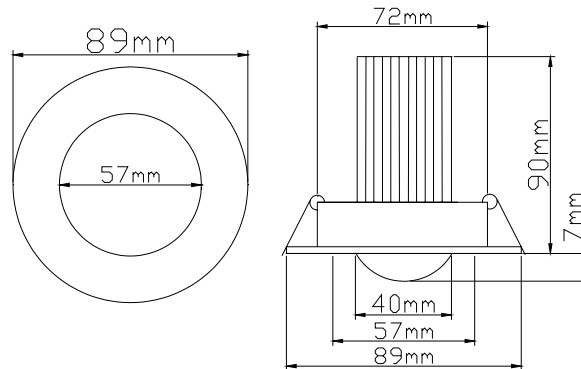


COOL WHITE



WARM WHITE

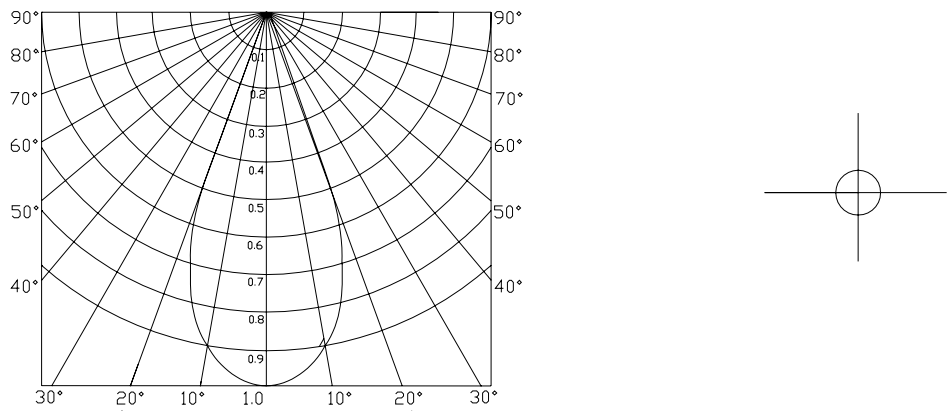
ii . . 2.5 inch Downlight (3*3W)



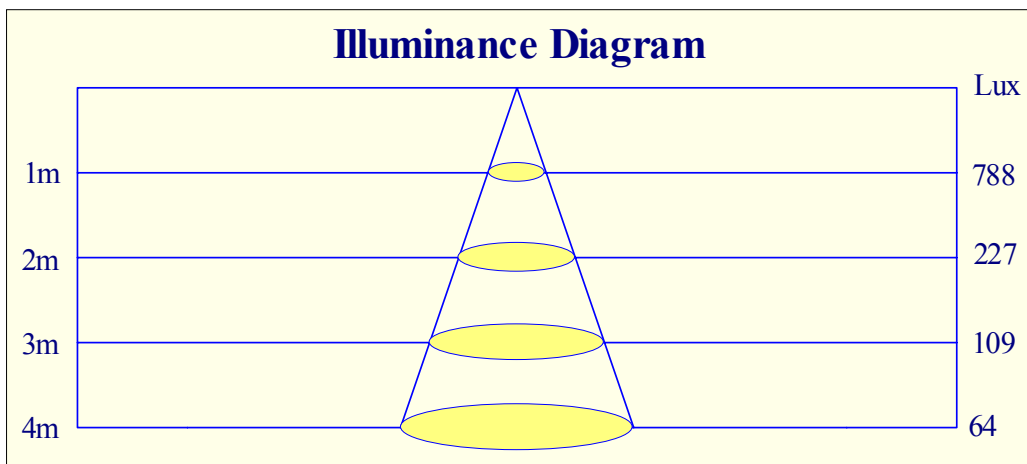
Parameter:

- Model: HS-DL25-10W (with lens)
- Color of the housing: sand silver color.(Have three colors to be customized:silver/black/gold)
- Use of power adapter: JA-15700U
- Input current: DC700mA±5%
- Power: 10W
- Light Source: 3*3W CREE LED
- LED Q'ty: 1 PC
- Angle: 38°
- Adjustment Angle: ±25°
- Body operating temperature: ≤58℃
- Led operating temperature: ≤65℃
- Ambient temperature: -25°- 45°
- Material : aluminum alloy
- IP grade: IP44
- Color temperature: 2500K-6500K
- Luminous flux(lm): 900lm-cool white,800lm-warm white
- Luminous efficacy: 90lm/W- cool white,80lm/w- warm white
- Lifespan: 50000hours
- Hole: Φ78mm
- NET Weight: 360g
- Gross Weight: 395g
- Dimension of the product(dia. * H): Φ89*90 mm
- Dimension of the external box (L * W * H) : 49*20*33.5cm
- Quantity (PCS): 30pcs in a carton

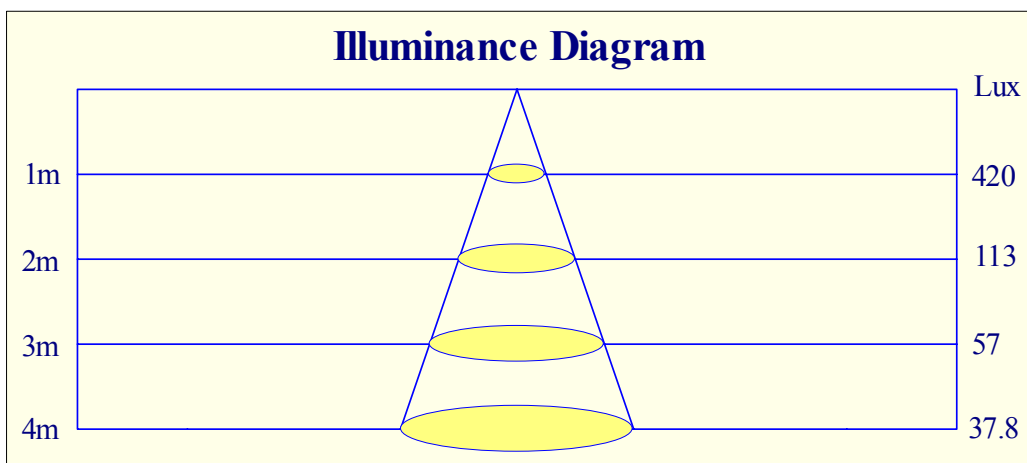
Photometric results:



Illuminance Diagram: Angle 38°



COOL WHITE



WARM WHITE

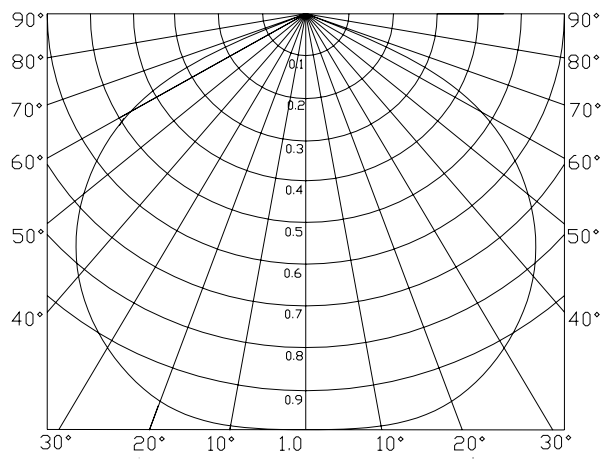
ii. **3.5 inch Down light:**



Parameter:

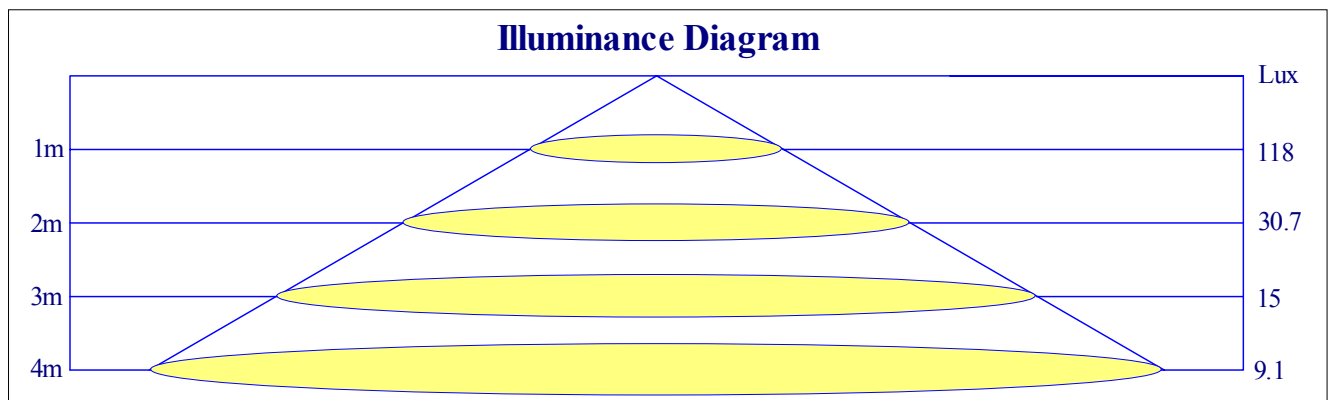
- Model: HS-DL35-10W
- Color of the housing: silver color. (Normal color of the housing is : silver or White, if you need other colors for the housing, black or Gold color should be customized in advance)
- Use of power adapter: JA-15700U
- Input current: DC700mA±5%
- Power: 10W
- Light Source: 3*3W Cree LED
- LED Q'ty: 1 pc
- Angle: 120°
- Body operating temperature: ≤58°C
- Led operating temperature: ≤65°C
- Ambient temperature: -25° - 45°
- IP grade: IP44
- Color temperature: 2500K-6500K
- Luminous flux(lm): 900lm-cool white,800lm-warm white
- Luminous efficacy: 90lm/W- cool white,80lm/w- warm white
- Life span: 50000hours
- Hole: Φ105mm
- NET Weight(kg): 332g
- Gross Weight(kg): 390g
- Dimension of the product(dia. * H): Φ125*7.5
- Dimension of the external box(L * W * H): 67*27.5*27.5cm
- Quantity (PCS): 30pcs in a carton

Photometric results:



Illuminance Diagram:

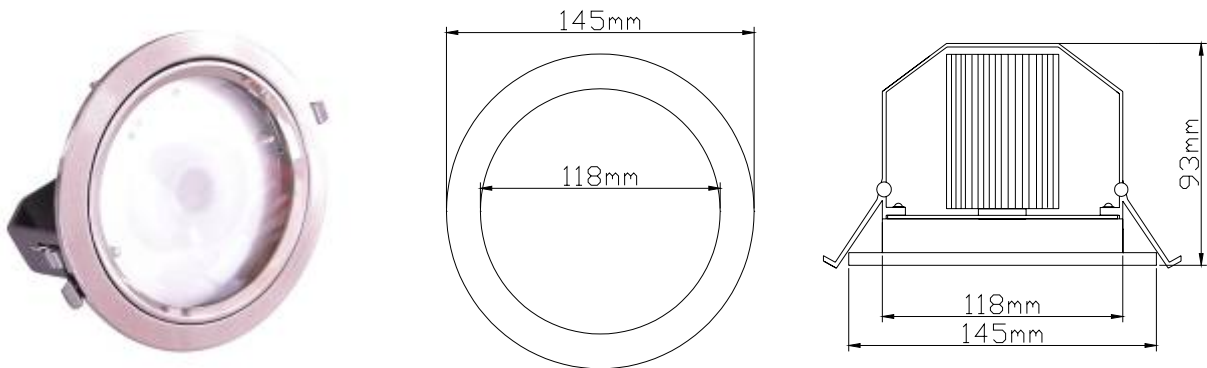
Illuminance Diagram: Angle 120°



WARM WHITE

IV. 4 inch Down light

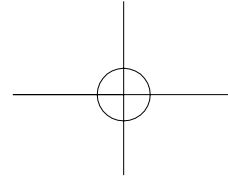
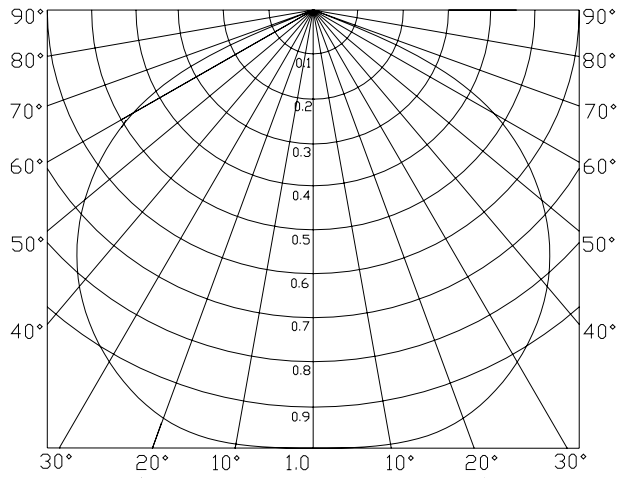
i. 4 inch Down light(10W)



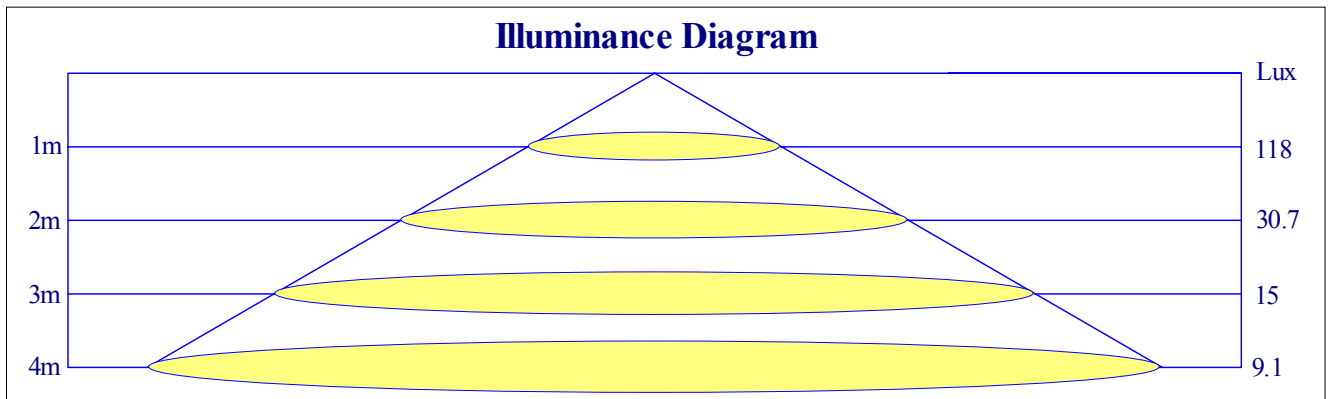
Parameter:

- Model: HS-DL40-10W
- Color of the housing: silver color. (Normal color of the housing is : Silver or White, if you need other colors for the housing, black or Gold color should be customized in advance)
- Use of power adapter: HS-15700U
- Input current: DC700mA±5%
- Power: 10W
- Light Source: 3*3W Cree LED
- LED Q'ty:1 pc
- Angle:120°
- Body operating temperature: ≤58℃
- Led operating temperature: ≤65℃
- Ambient temperature: -25° - 45°
- IP grade: IP44
- Color temperature: 2500K-6500K
- Luminous flux(lm): 900lm-cool white,800lm-warm white
- Luminous efficacy: 90lm/W- cool white,80lm/w- warm white
- Life span: 50000hours
- Hole: Φ125mm
- NET Weight(kg): 470g
- Gross Weight(kg): 560g
- Dimension of the product(dia. * H) : Φ145*93 mm
- Dimension of the external box(L*W*H) : 54*31*17cm
- Quantity (PCS): 10pcs in a carton

Photometric results:

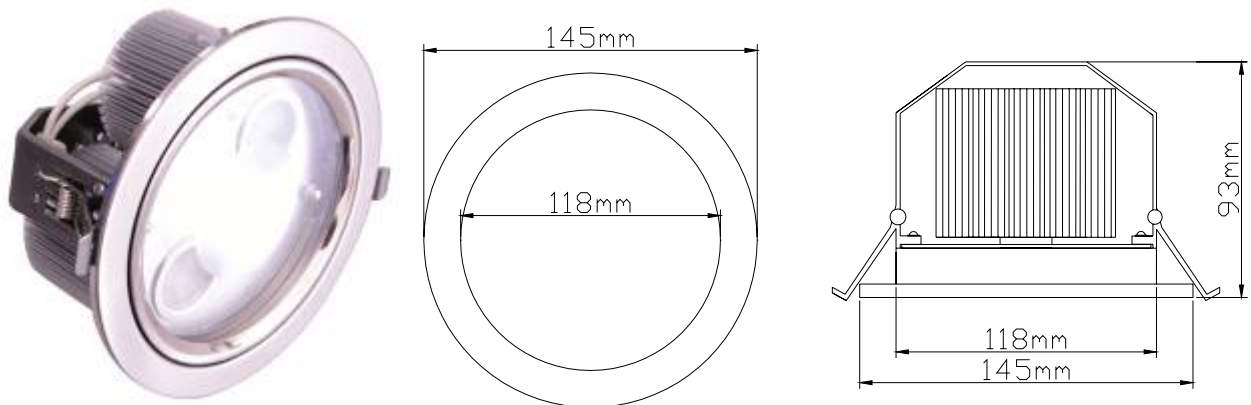


Illuminance Diagram: Angle 120°



WARM WHITE

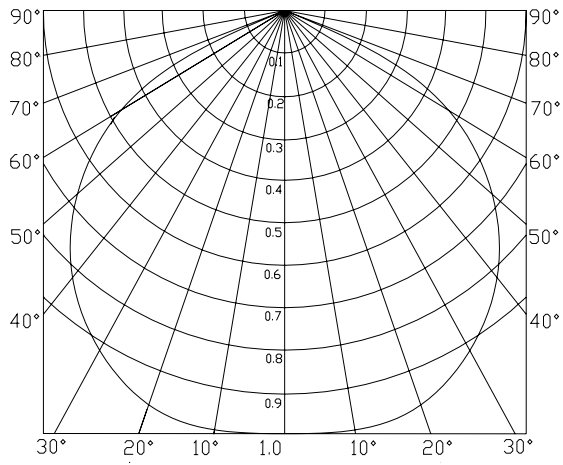
ii. 4 inch Down light(20W)



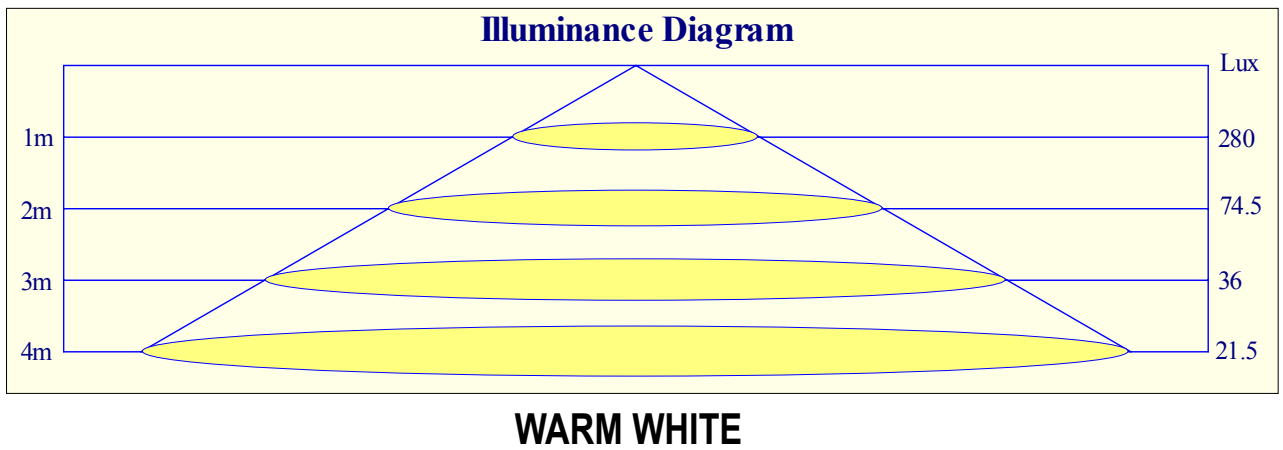
Parameter:

- Model: HS-DL40-20W
- Color of the housing: silver color. (Normal color of the housing is : silver or white, if you need other colors for the housing, black or gold color should be customized in advance)
- Use of power adapter: JA-30700M
- Input current: DC700mA±5%
- Power: 20W
- Light Source: 3*3W Cree LED
- LED Q'ty: 2 pcs
- Angle: 120°
- Body operating temperature: ≤58℃
- Led operating temperature: ≤65℃
- Ambient temperature: -25°- 45°
- IP grade: IP44
- Color temperature: 2500K-6500K
- Luminous flux(lm): 1800lm-cool white, 1600lm-warm white
- Luminous efficacy: 90lm/W- cool white, 80lm/w- warm white
- Life span: 50000hours
- Hole: Φ125mm
- NET Weight(kg): 532g
- Gross Weight(kg): 620g
- Dimension of the product(dia. * H) : Φ145*93 mm
- Dimension of the external box(L*W*H) : 54*31*17cm
- Quantity (PCS): 10pcs in a carton

Photometric results:

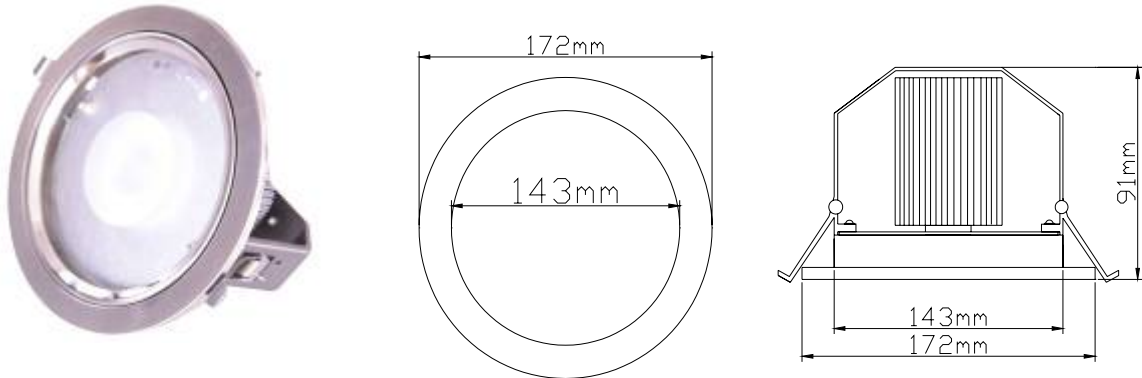


Illuminance Diagram: Angle 120°



V. 5 inch Down light

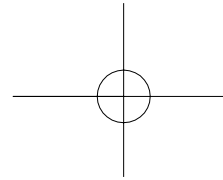
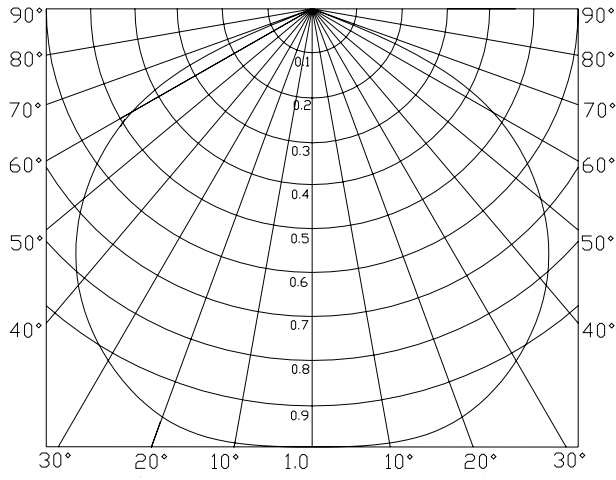
i. 5 inch Down light(10W)



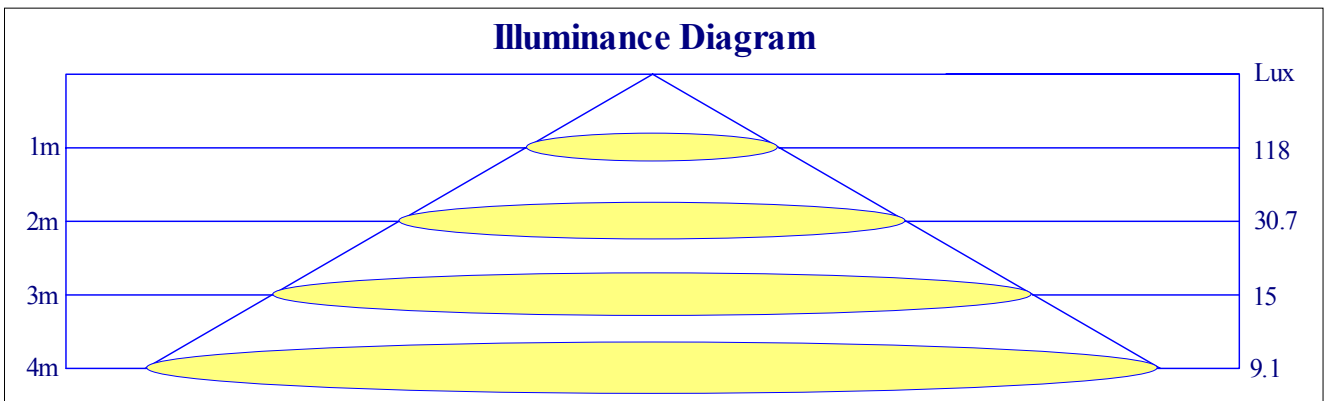
Parameter:

- Model: HS-DL50-10W
- (Normal color of the housing is : Silver or White, if you need other colors for the housing, black or gold color should be customized in advance)
- Use of power adapter: JA-15700U
- Input current: DC700mA±5%
- Power: 10W
- Light Source: 3*3W Cree LED
- LED Q'ty: 1 pc
- Angle:120°
- Body operating temperature: ≤58℃
- Led operating temperature: ≤65℃
- Ambient temperature: -25° - 45°
- IP grade: IP44
- Color temperature: 2500K-6500K
- Luminous flux(lm):900lm-cool white,800lm-warm white
- Luminous efficacy: 90lm/W- cool white,80lm/w- warm white
- Life span: 50000hours
- Hole: Φ150mm
- NET Weight(kg):560g
- Gross Weight(kg):677g
- Dimension of the product(dia. * H): Φ172*91mm
- Dimension of the external box(L*W*H): 54*37*20cm
- Quantity (pcs):10pcs in a carton

Photometric results:

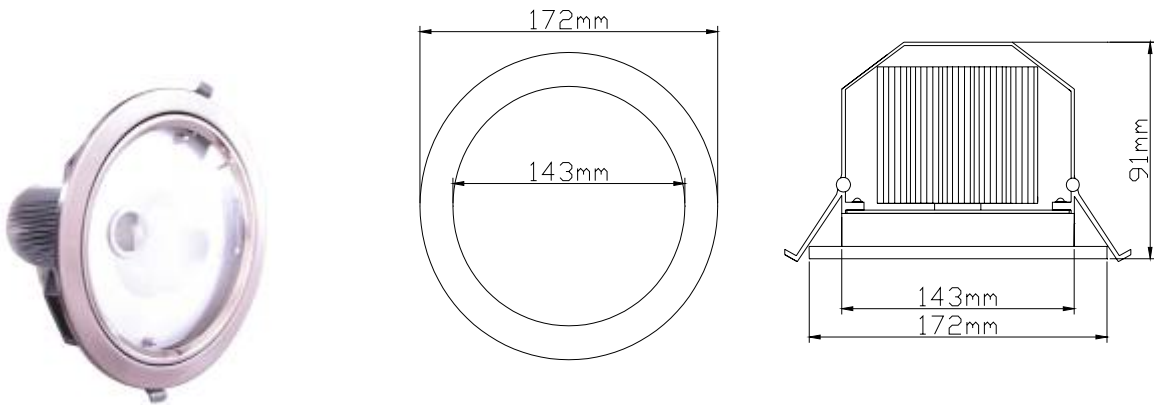


Illuminance Diagram: Angle 120°



WARM WHITE

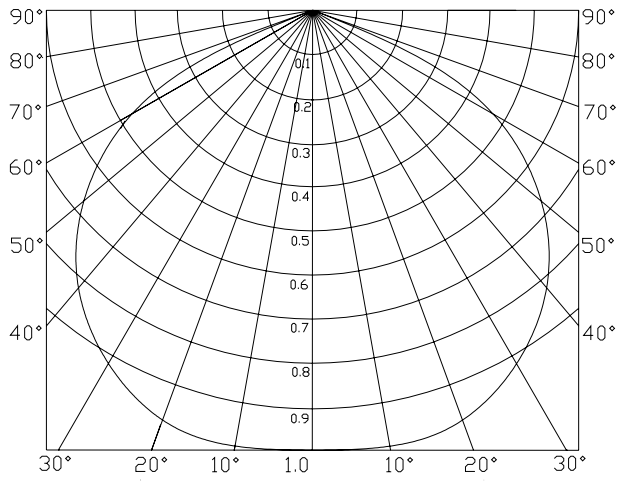
ii. 5 inch Down light(20W)



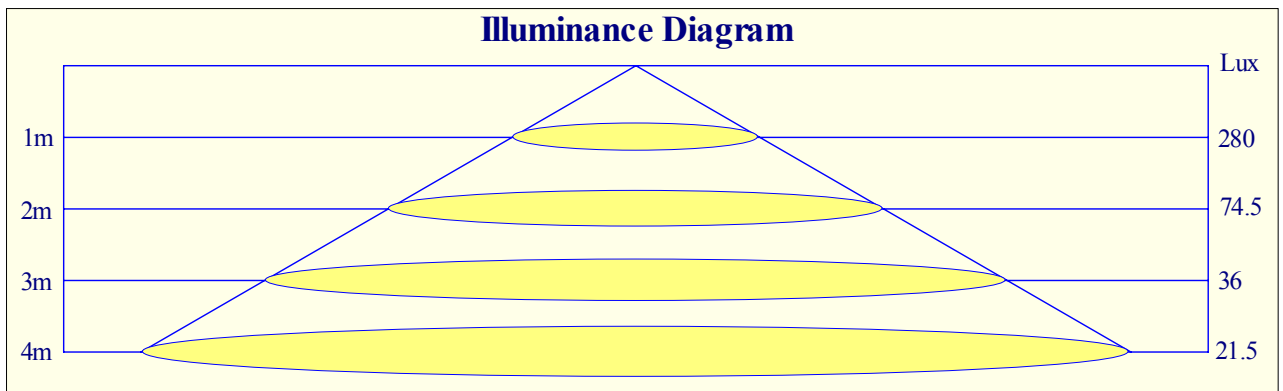
Parameter:

- Model: HS-DL50-20W
- Color of the housing: silver color. (Normal color of the housing is : silver or white, if you need other colors for the housing, black or gold color should be customized in advance)
- Use of power adapter: JA-30700M
- Input current: DC700mA±5%
- Power: 20W
- Light Source: 3*3W Cree LED
- LED Q'ty: 2 pcs
- Angle: 120°
- Body operating temperature: ≤58°C
- Led operating temperature: ≤65°C
- Ambient temperature: -25° - 45°
- IP grade: IP44
- Color temperature: 2500K-6500K
- Luminous flux(lm): 1800lm-cool white, 1600lm-warm white
- Luminous efficacy: 90lm/W- cool white, 80lm/w- warm white
- Life span: 50000hours
- Hole: Φ 150mm
- NET Weight(kg):735g
- Gross Weight(kg):855g
- Dimension of the product(dia. * H): Φ172*91mm
- Dimension of the External Box(L*W*H): 54*37*20cm
- Quantity (pcs):10pcs in a carton

Photometric results:



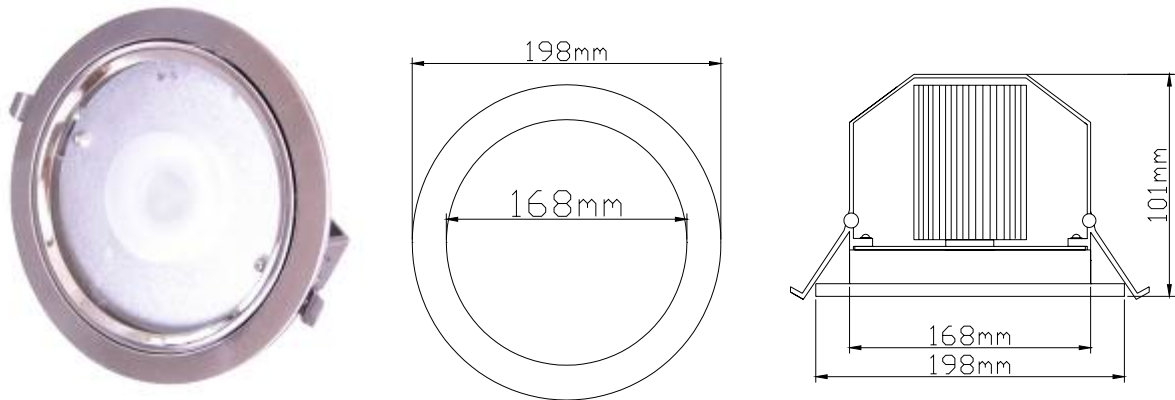
Illuminance Diagram: Angle 120°



WARM WHITE

VI. 6 inch Down light

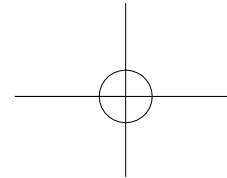
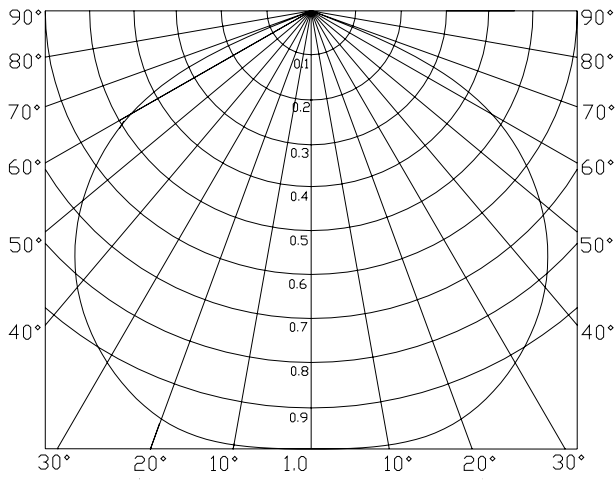
i . 6 inch Down light(10W)



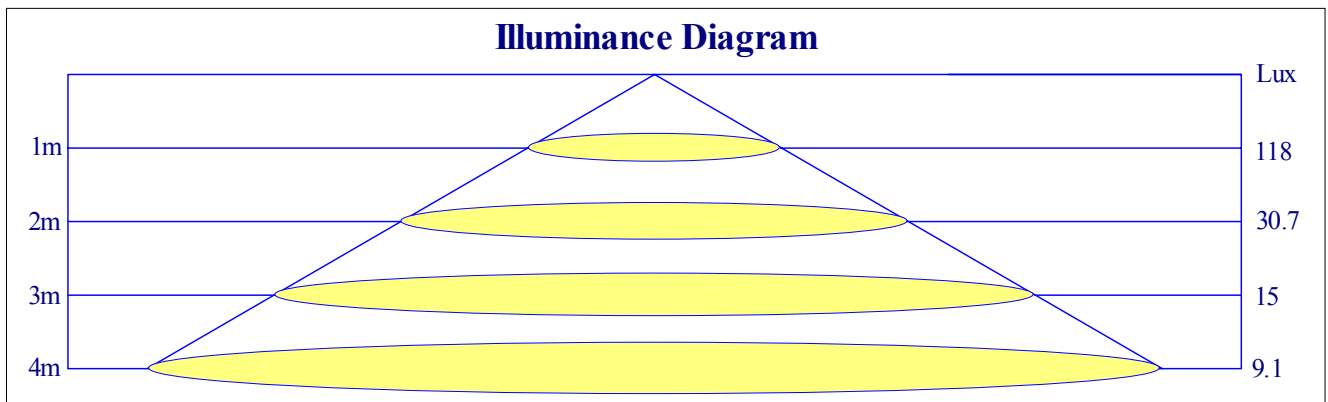
Parameter:

- Model: HS-DL60-10W
- Color of the housing: silver color. (Normal color of the housing is : silver or white, if you need other colors for the housing, black or gold color should be customized in advance)
- Use of power adapter: JA-15700U
- Input current: DC700mA±5%
- Power: 10W
- Light Source: 3*3W Cree LED
- LED Q'ty: 1 pc
- Angle:120°
- Body operating temperature: ≤58℃
- Led operating temperature: ≤65℃
- Ambient temperature: -25° - 45°
- IP grade: IP44
- Color temperature: 2500K-6500K
- Luminous flux(lm): 900lm-cool white,800lm-warm white
- Luminous efficacy: 90lm/W- cool white,80lm/w- warm white
- Life span: 50000hours
- Hole: Φ 175mm
- NET Weight(kg):720g
- Gross Weight(kg):870g
- Dimension of the product(dia. * H): Φ198*101mm
- Dimension of the external box(L*W*H): 56*42*22.5cm
- Quantity (PCS):10pcs in a carton

Photometric results:

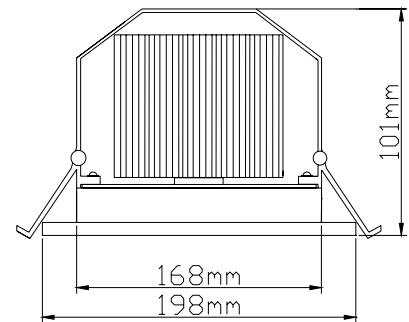
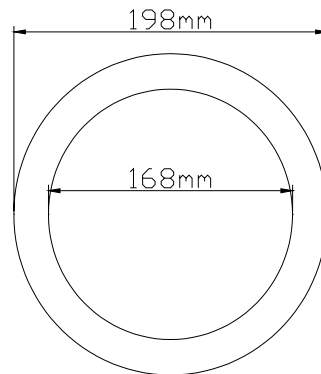


Illuminance Diagram: Angle 120°



WARM WHITE

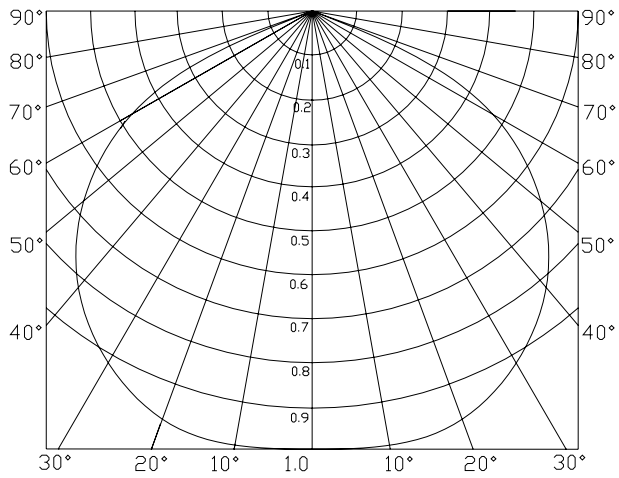
ii . 6 inch Down light(20W)



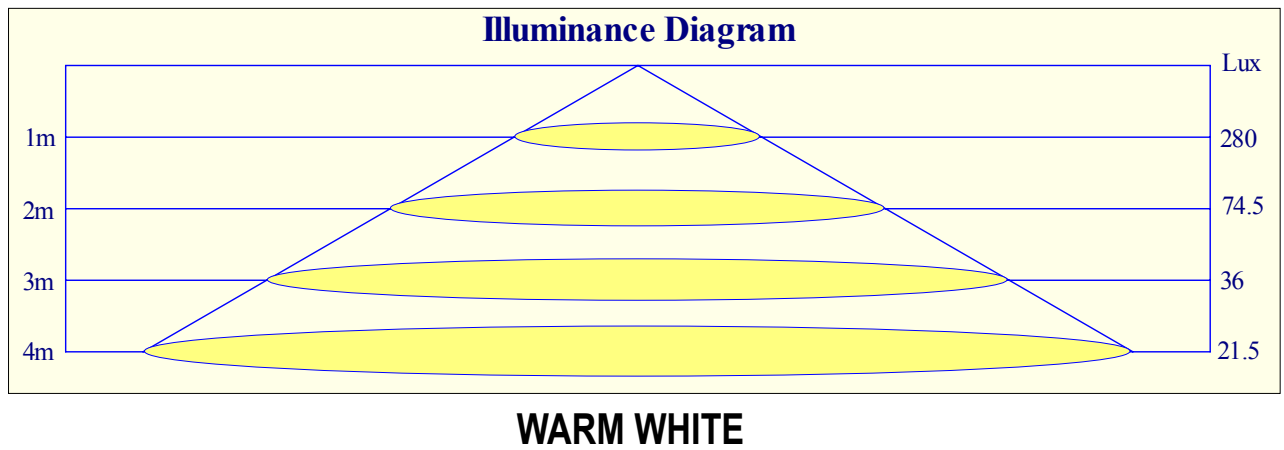
Parameter:

- Model: HS-DL60-20W
- Color of the housing: silver color. (Normal color of the housing is : silver or white, if you need other colors for the housing, black or gold color should be customized in advance)
- Use of power adapter: JA-30700M
- Input current: DC700mA±5%
- Power: 20W
- Light Source: 3*3W Cree LED
- LED Q'ty: 2 pc
- Angle:120°
- Body operating temperature: ≤58°C
- Led operating temperature: ≤65°C
- Ambient temperature: -25°- 45°
- IP grade: IP44
- Color temperature: 2500K-6500K
- Luminous flux(lm): 1800lm-cool white,1600lm-warm white
- Luminous efficacy: 90lm/W- cool white,80lm/w- warm white
- Life span: 50000hours
- Hole: Φ 175mm
- NET Weight(kg):905g
- Gross Weight(kg):1055g
- Dimension of the product(dia. * H): Φ198*101mm
- Dimension of the external box(L*W*H): 56*42*22.5cm
- Quantity (PCS):10pcs in a carton

Photometric results:

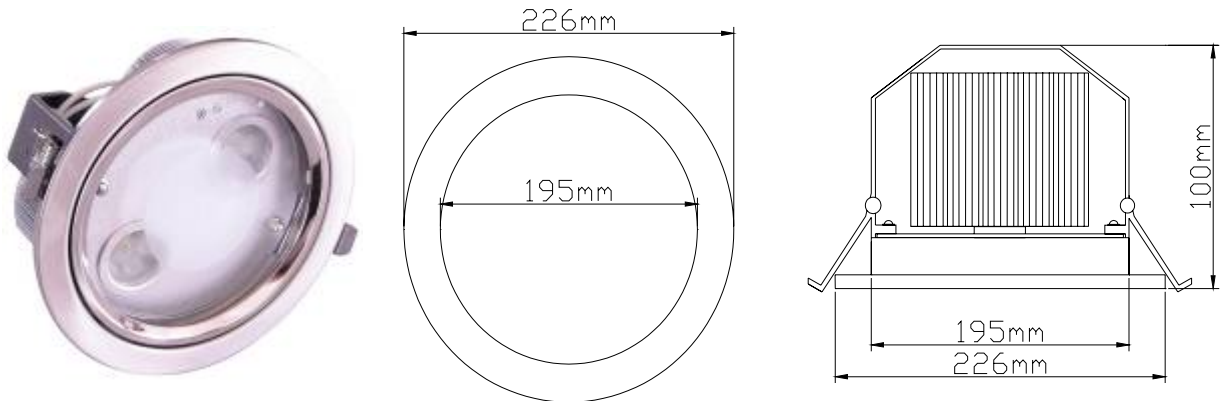


Illuminance Diagram: Angle 120°



VII. 8 inch Down light

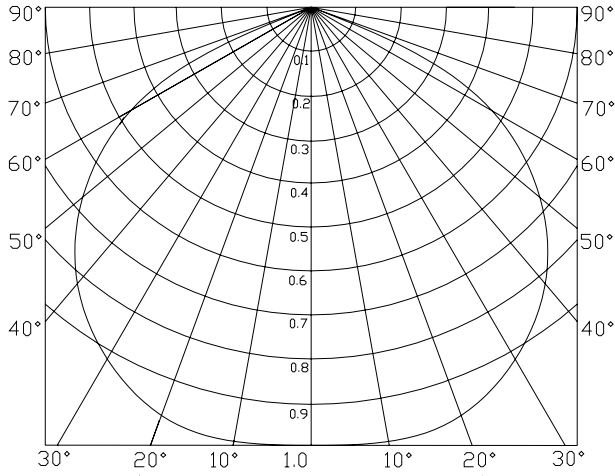
i . 8 inch Down light(20W)



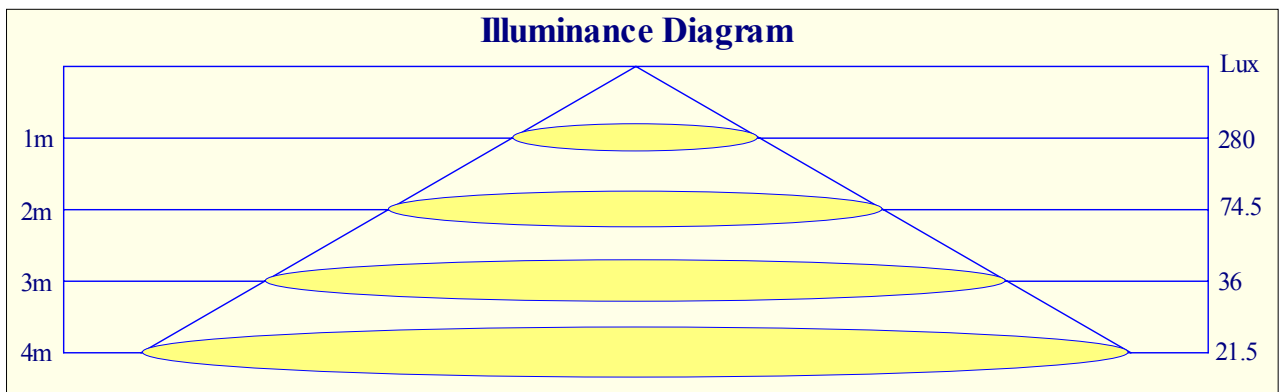
Parameter:

- Model: HS-DL80-20W
- Color of the housing: silver color. (Normal color of the housing is : silver or white, if you need other colors for the housing, black or gold color should be customized in advance)
- Use of power adapter: JA-30700M
- Input current: DC700mA±5%
- Power: 20W
- Light Source: 3*3W Cree LED
- LED Q'ty: 2 pcs
- Angle:120°
- Body operating temperature: ≤58°C
- Led operating temperature: ≤65°C
- Ambient temperature: -25°- 45°
- IP grade: IP44
- Color temperature: 2500K-6500K
- Luminous flux(lm): 1800lm-cool white,1600lm-warm white
- Luminous efficacy: 90lm/w- cool white,80lm/w- warm white
- Life span: 50000hours
- Hole: Φ205mm
- NET Weight:1065g
- Gross Weight:1255g
- Dimension of the product(dia. * H): Φ226*100mm
- Dimension of the external box(L*W*H): 56*49*26cm
- Quantity (PCS):10pcs in a carton

Photometric results:

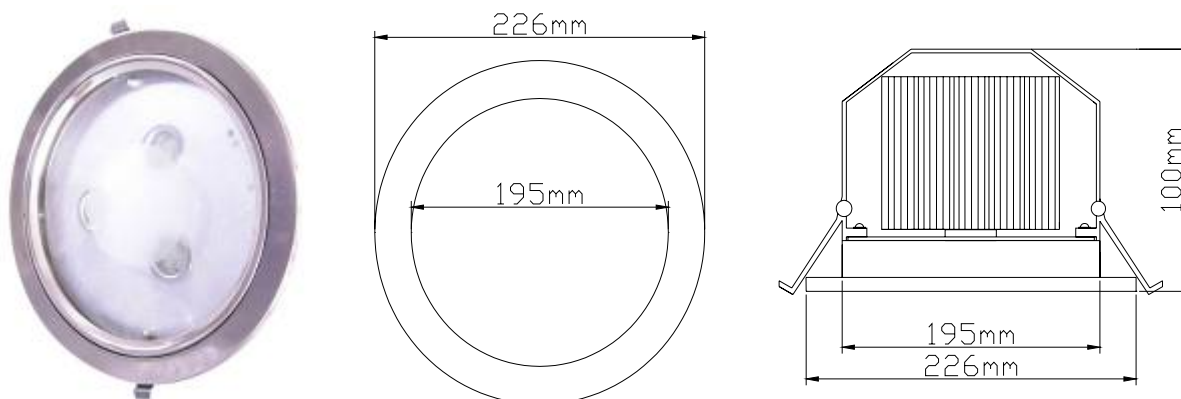


Illuminance Diagram: Angle 120°



WARM WHITE

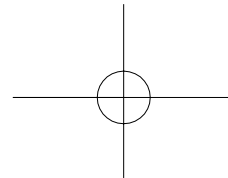
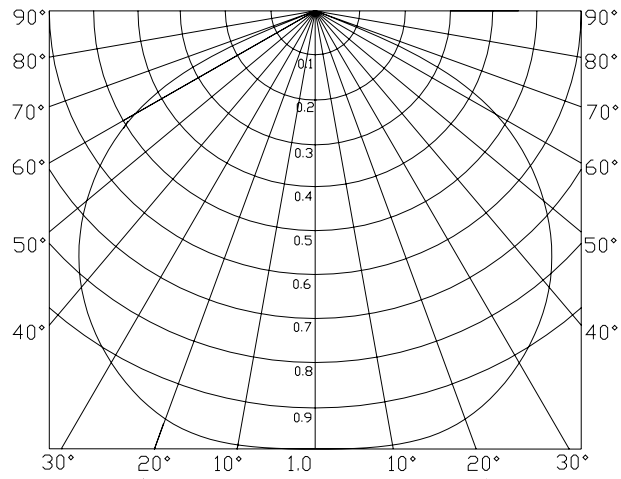
ii. 8 inch Down light(30W)



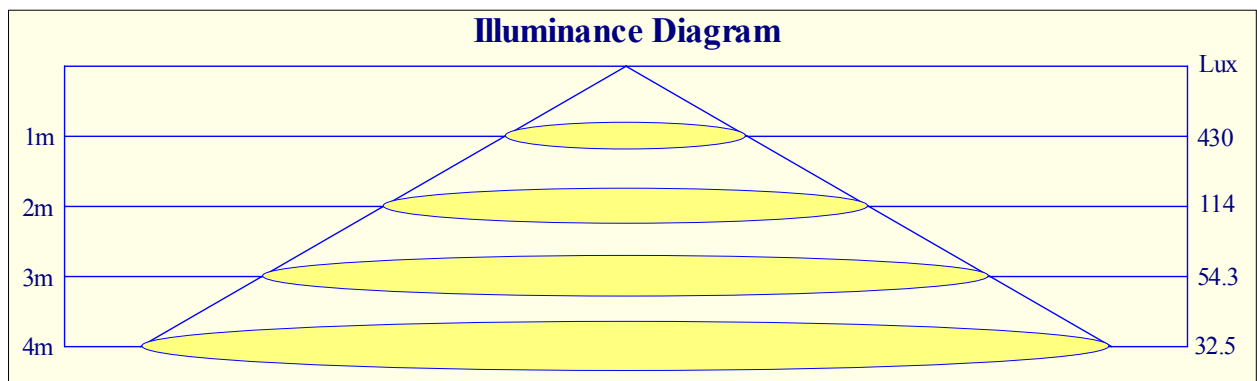
Parameter:

- Model: HS-DL80-30W
- Color of the housing: silver color. (Normal color of the housing is : silver or white, if you need other colors for the housing, black or gold color should be customized in advance)
- Use of power adapter: JA-45700M
- Input current: DC700mA±5%
- Power: 30W
- Light Source:3*3W Cree LED
- LED Q'ty: 3 pcs
- Angle:120°
- Body operating temperature: ≤58°C
- Led operating temperature: ≤65°C
- Ambient temperature: -25° - 45°
- IP grade: IP44
- Color temperature: 2500K-6500K
- Luminous flux(lm): 2700lm-cool white,2400lm-warm white
- Luminous efficacy: 90lm/W- cool white,80lm/w- warm white
- Life span: 50000hours
- Hole: Φ 205mm
- NET Weight:1250g
- Gross Weight:1440g
- Dimension of the product(dia. * H): Φ226*100mm
- Dimension of the external box(L*W*H): 56*49*26cm
- Quantity (PCS):10pcs in a carton

Photometric results:

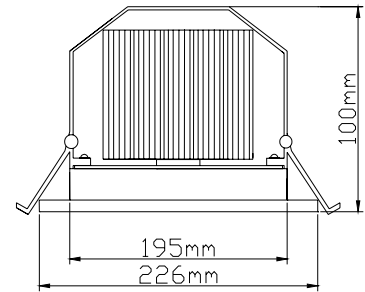
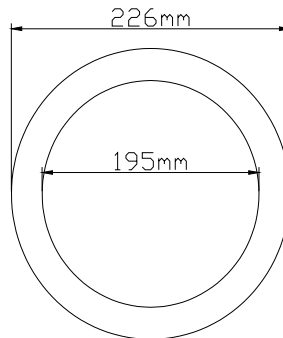


Illuminance Diagram: Angle 120°



WARM WHITE

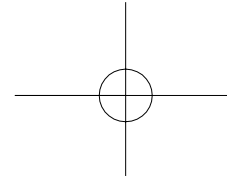
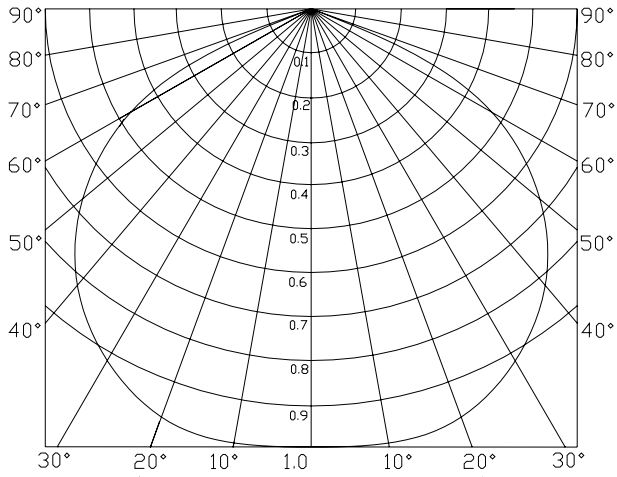
iii. 8 inch Down light(40W)



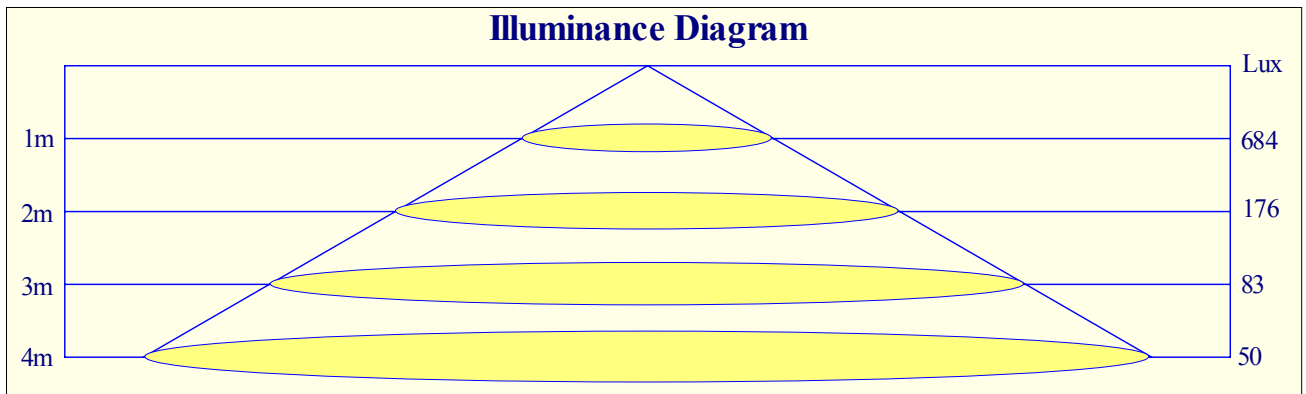
Parameter:

- Model: HS-DL80-40W
- Color of the housing: silver color. (Normal color of the housing is : silver or white, if you need other colors for the housing, black or gold color should be customized in advance)
- Use of power adapter: JA-45700M
- Input current: DC700mA±5%
- Power: 40W
- Light Source: 3*3W Cree LED
- LED Q'ty:4 pcs
- Angle:120°
- Body operating temperature: ≤58°C
- Led operating temperature: ≤65°C
- Ambient temperature: -25° - 45°
- IP grade: IP44
- Color temperature: 2500K-6500K
- Luminous flux(lm): 3600lm-cool white,3200lm-warm white
- Luminous efficacy: 90lm/W- cool white,80lm/w- warm white
- Life span: 50000hours
- Hole: Φ205mm
- NET Weight:1450g
- Gross Weight:1640g
- Dimension of the product(dia. * H): Φ226*100mm
- Dimension of the external box(L*W*H): 56*49*26cm
- Quantity (PCS):10pcs in a carton

Photometric results:



Illuminance Diagram:



WARM WHITE